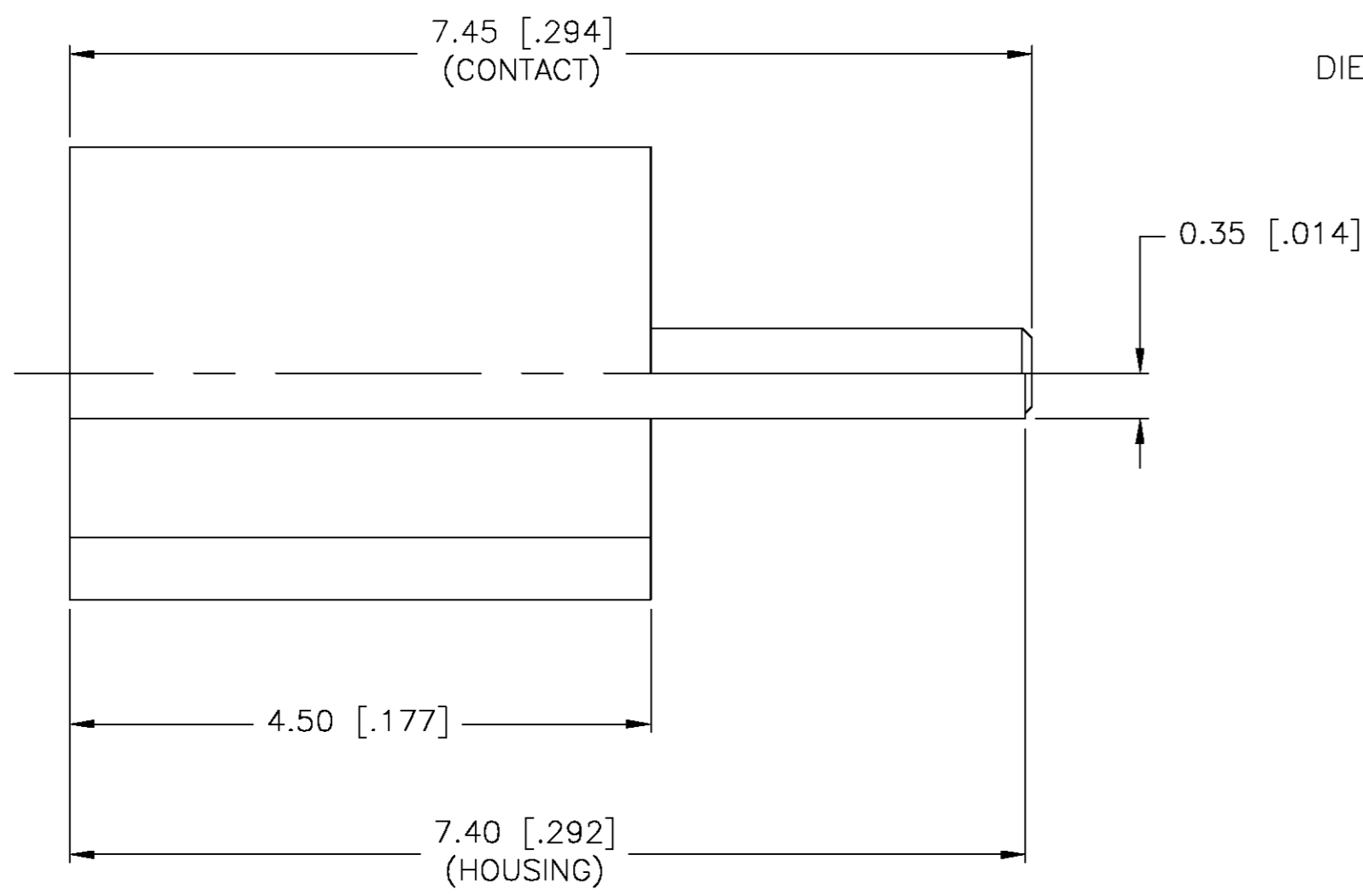


THIS DRAWING IS UNPUBLISHED. RELEASED FOR PUBLICATION
 © COPYRIGHT BY TYCO ELECTRONICS CORPORATION. ALL RIGHTS RESERVED.

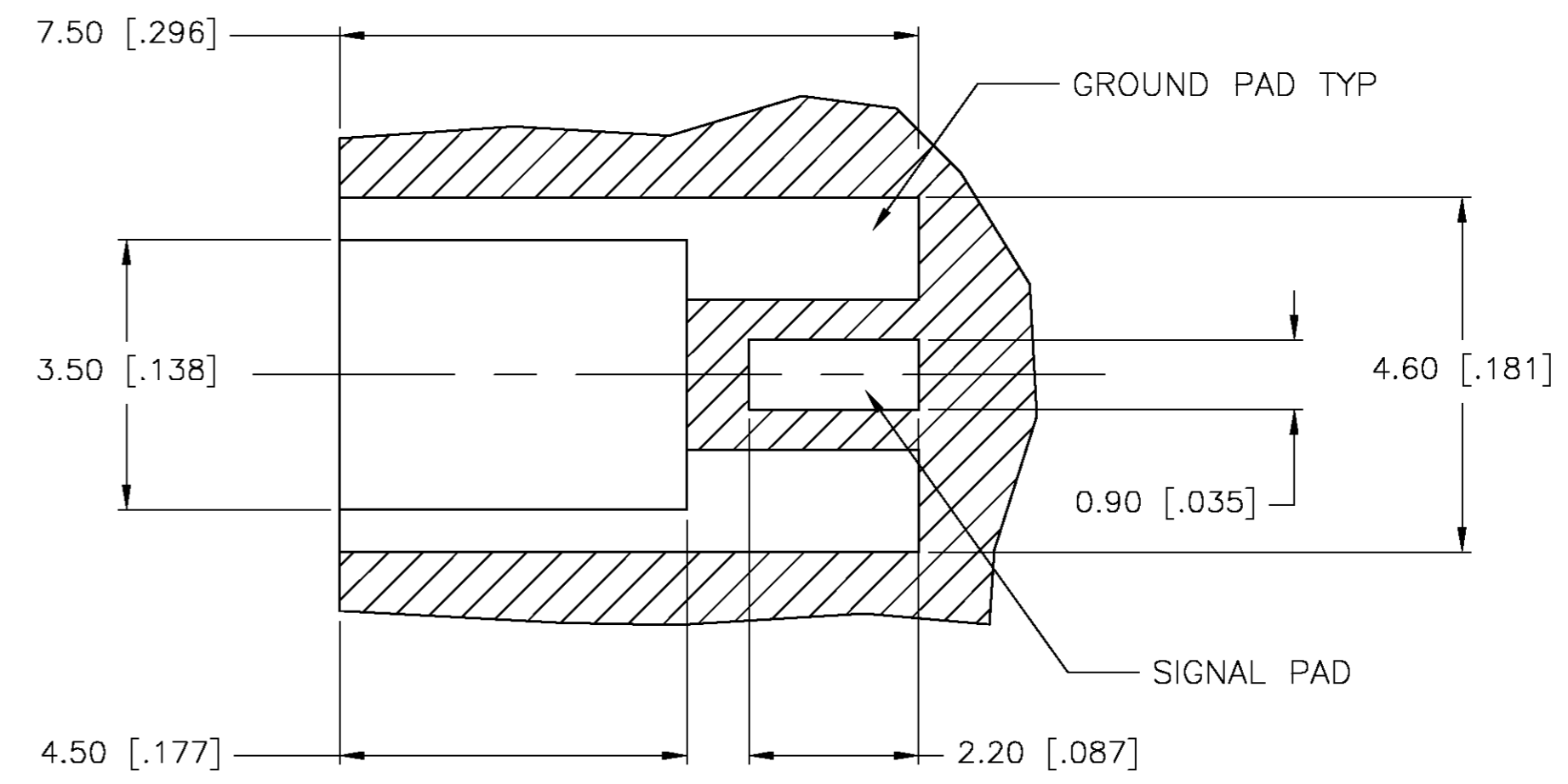
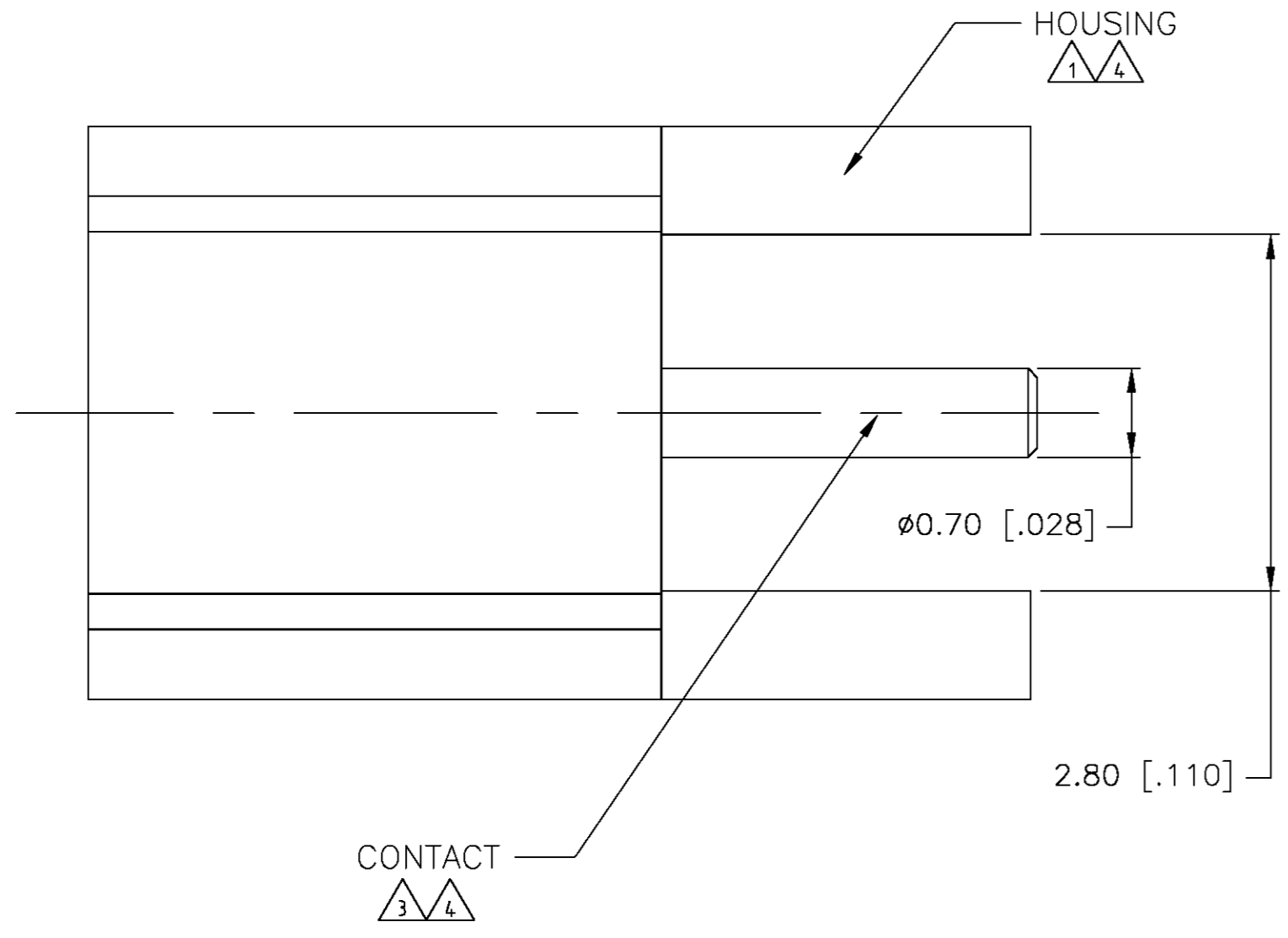
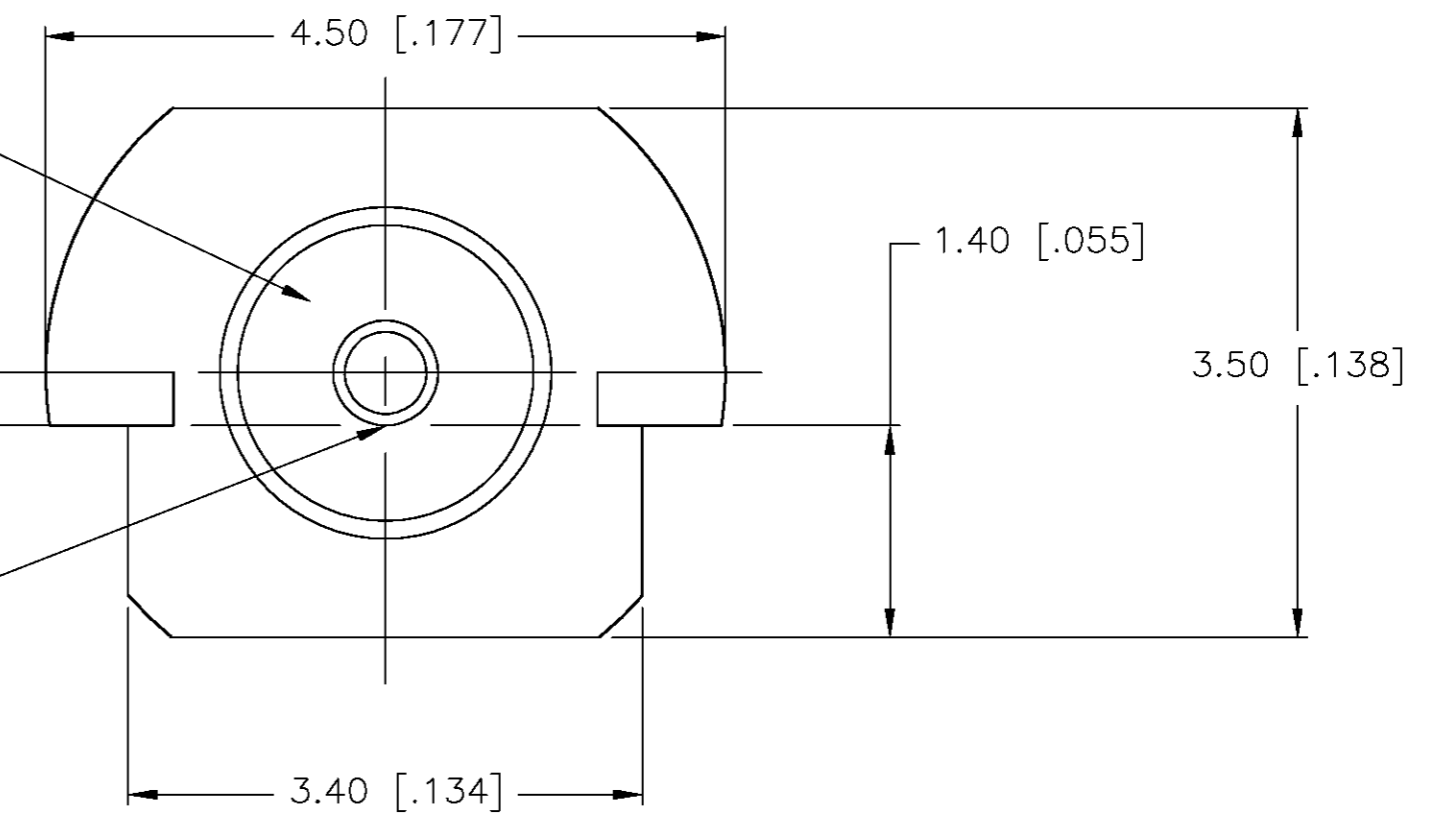
REVISIONS				DATE	DWN	APVD
P	LTR	DESCRIPTION				
E		REV PER 0514-0397-03	11SEP03	KW	KW	



DIELECTRIC
 2

-A-
 2 SURFACES

0.10 A
 TANGENT POINT OF CONTACT



SOLDER PAD CONFIGURATION ONLY
 (SCALE 12:1)

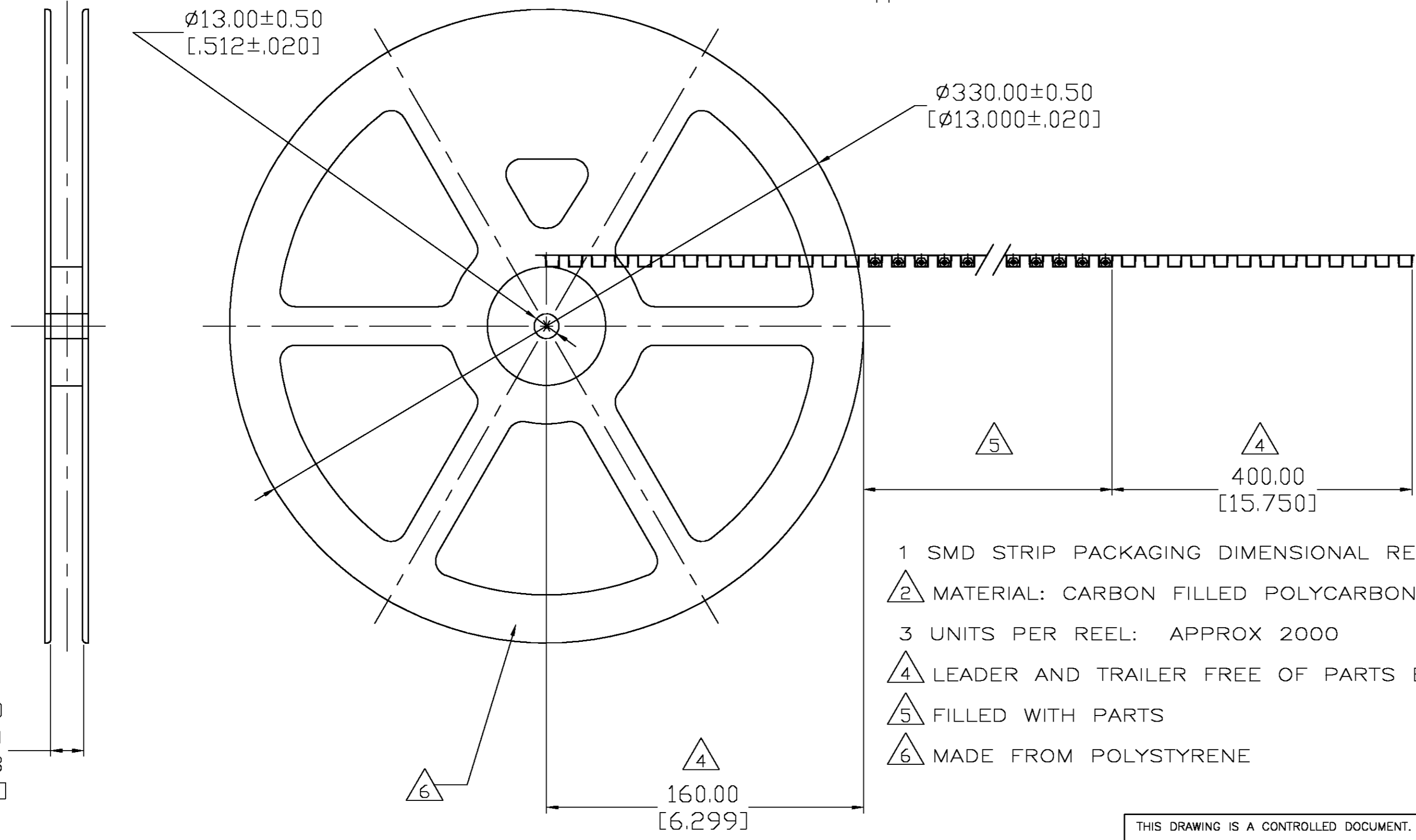
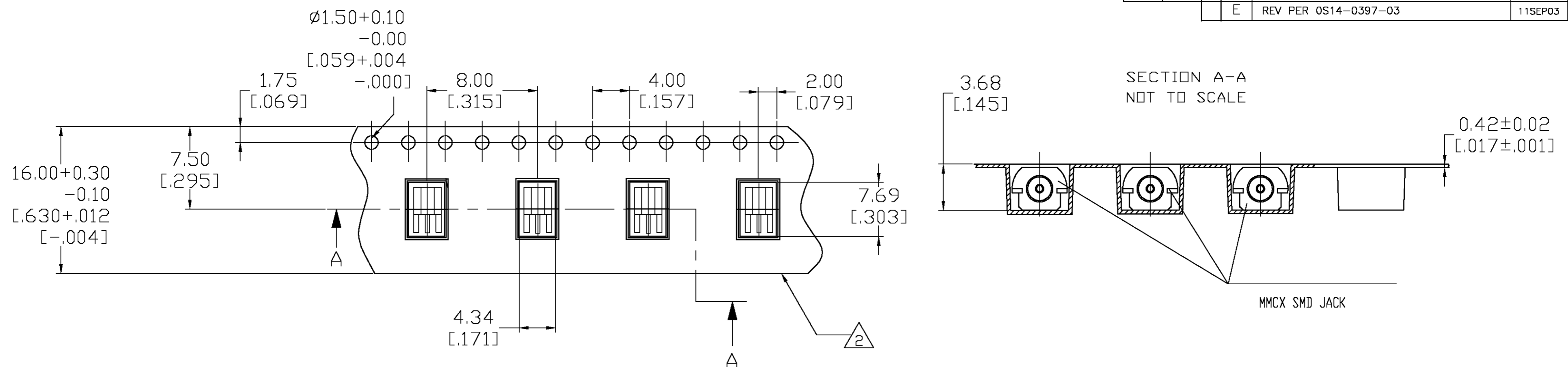
ON REEL (SEE SHEET 2)	1408152-2
STANDARD	1408152-1
PACKAGING	PART NUMBER

- 1 BRASS PER ASTM-B-16
- 2 PTFE PER ASTM-D-1710
- 3 BERYLLIUM COPPER PER ASTM-B-196
- 4 GOLD PLATE PER MIL-G-45204

THIS DRAWING IS A CONTROLLED DOCUMENT.		DWN	29NOV2001	 Tyco Electronics Corporation Middletown, PA 17057			
DIMENSIONS: MM		CHK	28NOV01				
TOLERANCES UNLESS OTHERWISE SPECIFIED:		APVD	28NOV01				
0 PLC ± - 1 PLC ± - 2 PLC ± 0.15 [.006] 3 PLC ± - 4 PLC ± - ANGLES ± 1° FINISH -		NAME	108-2084				
MATERIAL		PRODUCT SPEC	108-2084	SIZE	CAGE CODE	DRAWING NO	RESTRICTED TO
		APPLICATION SPEC		A2	00779	C=1408152	-
		WEIGHT	0.20g/.007oz	SCALE		20:1	SHEET 1 OF 2
		CUSTOMER DRAWING		REV		E	

THIS DRAWING IS UNPUBLISHED. RELEASED FOR PUBLICATION
 © COPYRIGHT BY TYCO ELECTRONICS CORPORATION. ALL RIGHTS RESERVED.

LOC		DIST		REVISIONS			
P	LTR	DESCRIPTION	DATE	DWN	APVD		
AJ	-	E	REV PER 0514-0397-03	11SEP03	KW	KW	



- 1 SMD STRIP PACKAGING DIMENSIONAL REQUIREMENTS PER EIA 481-1, -2 AND -3
- △2 MATERIAL: CARBON FILLED POLYCARBONATE, ELECTROSTATIC PROTECTIVE
- 3 UNITS PER REEL: APPROX 2000
- △4 LEADER AND TRAILER FREE OF PARTS BUT SEALED WITH COVER TAPE
- △5 FILLED WITH PARTS
- △6 MADE FROM POLYSTYRENE

THIS DRAWING IS A CONTROLLED DOCUMENT.		DWN	24JUL02	 Tyco Electronics Corporation Middletown, PA 17057
DIMENSIONS: MM		RMF	24JUL02	
TOLERANCES UNLESS OTHERWISE SPECIFIED:		CHK	24JUL02	
0 PLC ± - 1 PLC ± - 2 PLC ± 0.10 [0.004] 3 PLC ± - 4 PLC ± - ANGLES ± 5° FINISH -		APVD	24JUL02	
MATERIAL		RMF	24JUL02	NAME
		PRODUCT SPEC		MMCX JACK, SMT EDGE LAUNCH
		APPLICATION SPEC		SIZE
				A2
		WEIGHT	-	CAGE CODE
				00779
		CUSTOMER DRAWING		DRAWING NO
				C=1408152
		SCALE	NTS	RESTRICTED TO
		SHEET	2 OF 2	-
		REV	E	

1408152